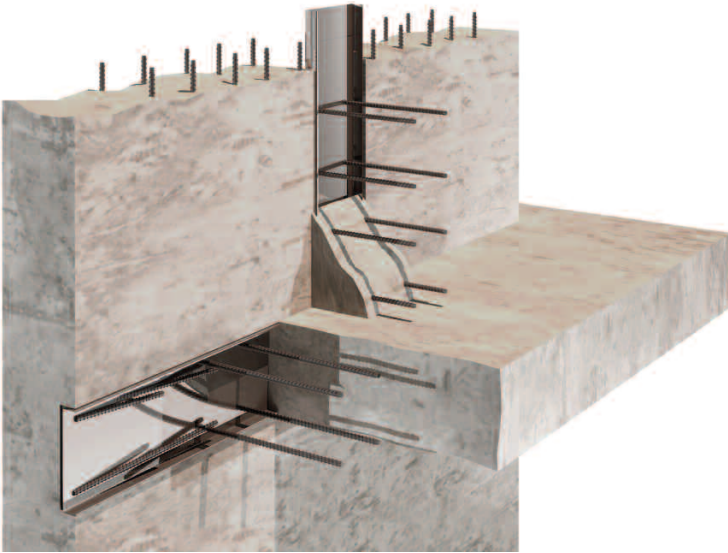


Keyway Splice Box



The Keyway Splice Box Reinforcement Continuity System is a non-mechanical lap splice connection system which replaces form penetrating dowel bars at construction joints

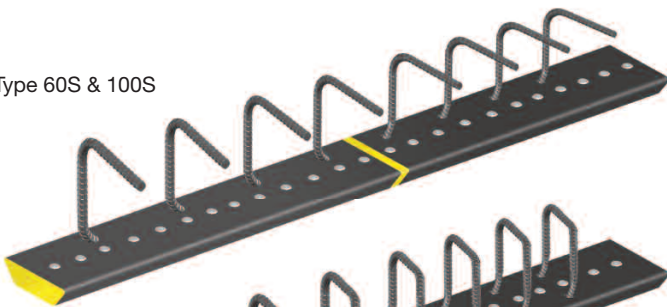
Fast, Easy Alignment for Splicing

The Keyway Splice Box is a quick and easy to install method of maintaining continuity of reinforcement at construction joints in concrete. It consists of a galvanized steel casing with a dimpled surface to provide an effective concrete bond. Pre-bent bars are housed within the casing and are enclosed by a protective cover. Each end of the unit is sealed with a polystyrene block in order to prevent the ingress of concrete. The Keyway Splice Box remains in the concrete to act as an interlocking keyway at the joint.

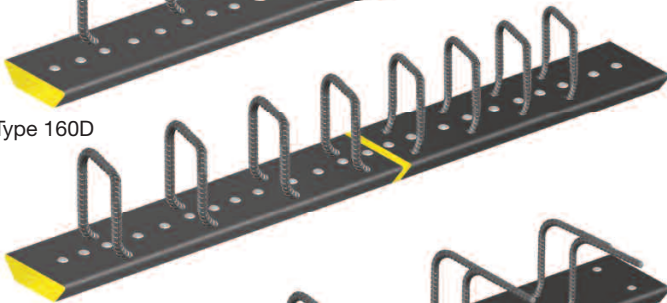
Features of the Keyway Splice Box:

- Available in rebar size #4, #5 and #6
- Fast installation and easy to use
- Eliminates need to drill formwork for rebar
- Formwork design can be greatly simplified
- Reduce complicated joint designs
- Prepositioned bars ensure precise alignment
- Assures full load transfer, increasing joint strength
- Rebar remains protected and clean from damage
- Greatly reduces labor costs
- Manufactured in the U.S.

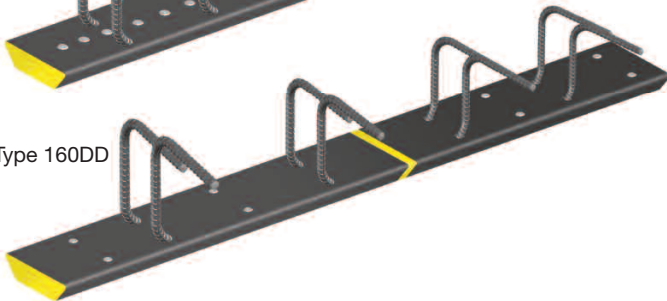
Type 60S & 100S



Type 160D



Type 160DD



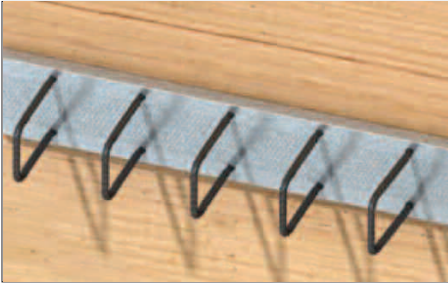
Box Type	Standard Width	Standard Depth	Standard Length	Minimum Length	Maximum Length
60S	2.5"	1.5"	48"	24"	96"
100S	3.5"	1.5"	48"	24"	96"
160D	6"	1.5"	48"	24"	96"
160DD	6"	1.5"	48"	24"	96"

Each project has its own unique requirements. The dimensions provided are easily adjusted to suit specific needs.



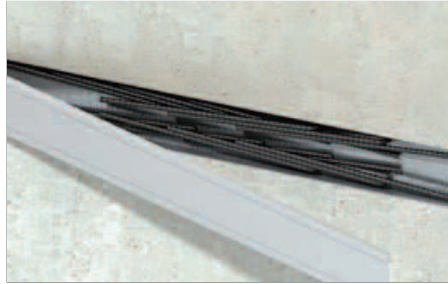
Call toll free at **877.518.7665**
or visit MeadowBurke.com

Installation



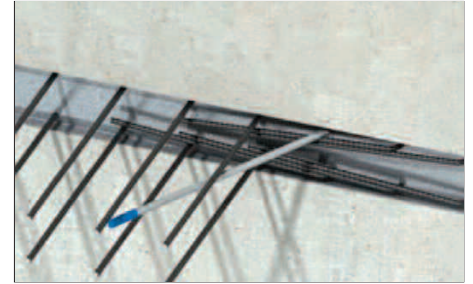
STEP 1 – Attach to the Form

Attach the Keyway Box by nailing through the casing to the formwork or securely tie the projecting reinforcing bars to existing reinforcement. The Keyway Splice Box should be firmly secured and tight against the formwork to avoid displacement during concrete placement.



STEP 2 – Remove the Lid

Once the formwork is removed, the steel cover will be exposed. Remove the steel cover to expose the pre-bent reinforcing steel.



STEP 3 – Straighten Rebar

Straighten the bars using a hickey bar that is slightly larger than the rebar being straightened. The bars should be straightened only once according to the procedure highlighted below. Care should be taken to avoid damage to adjacent concrete.

Bar Straightening Procedure

1. After the disposable cover is removed, the bars are to be easily pulled out by hand at a maximum of 20° from the Keyway Box.
2. Use a hickey bar with a diameter just large enough to slide over the pre-bent bar to finish straightening the procedure.
3. Slide the hickey bar as far up the bar as possible and rebend the bar approximately another 25°–30°. Repeat this procedure 2 – 3 more times until the bar is exactly straight. DO NOT REBEND the pre-bent bars in one motion.
4. Do not heat the bars for rebending. We also do not recommend rebending the bars in the field more than once.

