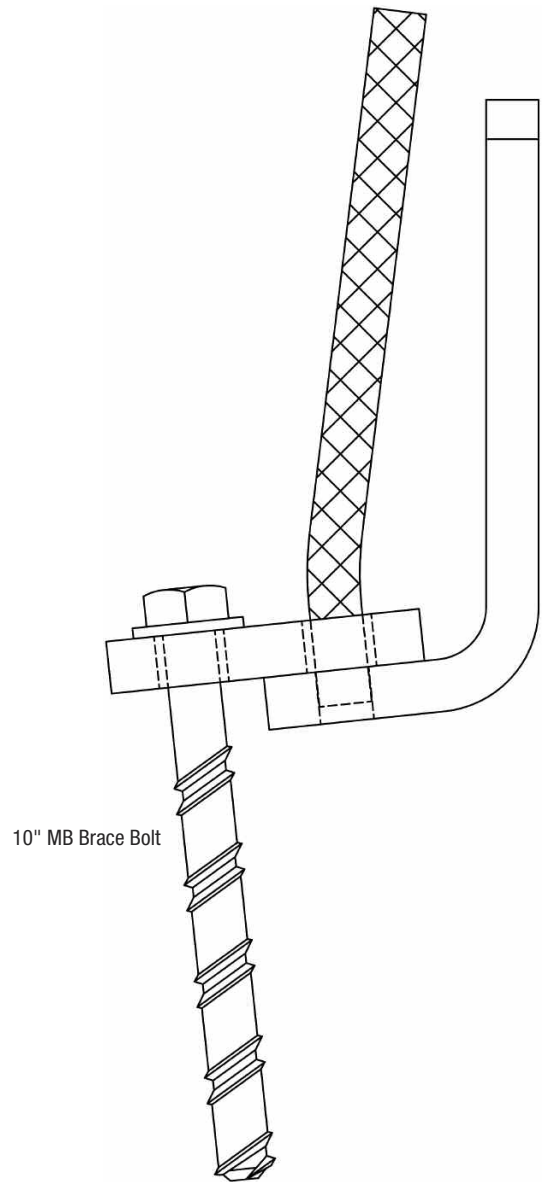
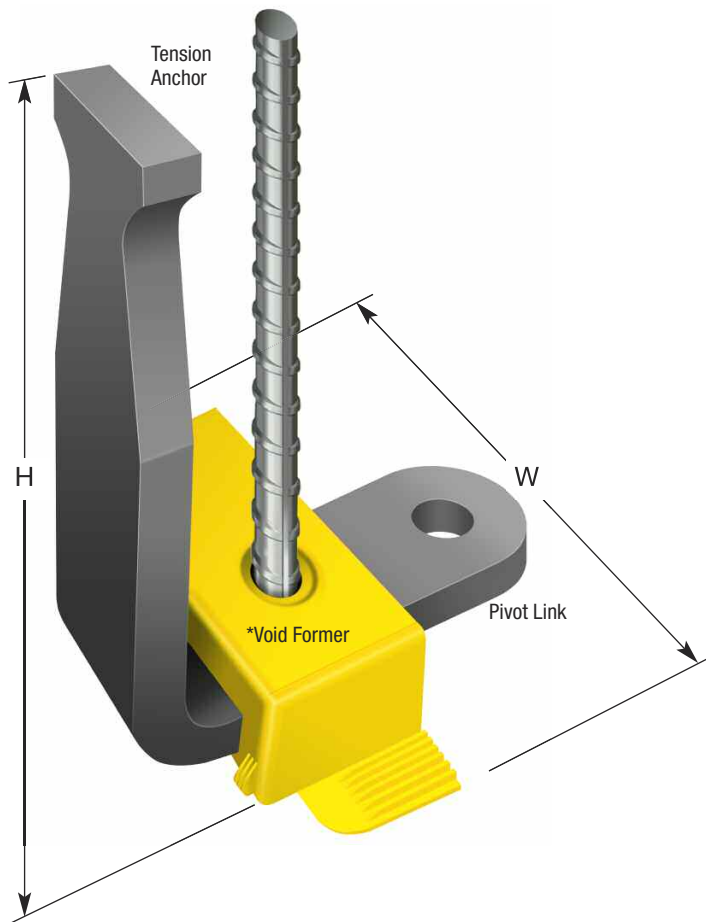


# Super Lynk®



SUPER LYNK DATA				
Item Number	Tension Load	Width (in)	Height in (in)	Weight per Unit
MBSLYNK	10,000 lbs	8"	10"	10.5 lbs

Super Lynk is a fast, strong and discrete way to permanently connect concrete panels to footings. It requires only a single bolt to make the connection – no welds, grout or epoxy.

### Performance Benefits:

- Meets ACI 318-14 16.2.4.3 (b) code requirement to resist a 10,000 lb. tension load.
- Rebar connects the Pivot Link to the Tension Anchor increasing capacity which adds stability and strength to the embedded Super Lynk.

\* Void former shown in yellow for marketing purposes only. Actual void former is concrete gray.

**Call to learn more about the Super Lynk**

**877.518.7665**