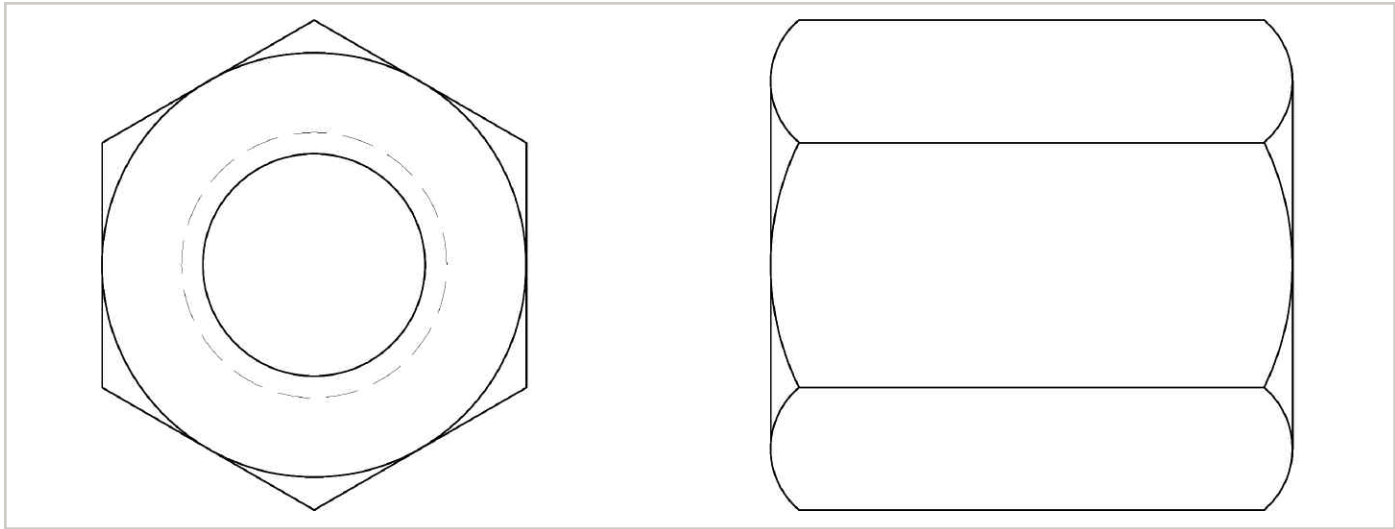


CN-25 Coil Nut – Heavy



CN-25 COIL NUT - HEAVY DATA			
Diameter	Flat Width (W)	Height (H)	Safe Work Load (lbs)
1/2"	7/8"	1"	9,000
3/4"	1-1/8"	1-1/2"	18,000
1"	1-5/8"	2"	38,000
1-1/4"	2"	2-1/2"	56,000
1-1/2"	2-3/8"	3"	68,000

The CN-25 Heavy Coil Nuts are manufactured from hex stock like the Standard Coil Nut but is of sufficient length to develop the safe working loads required for medium and heavy form tying systems.

Safe working load is based on an approximate 2:1 safety factor.

