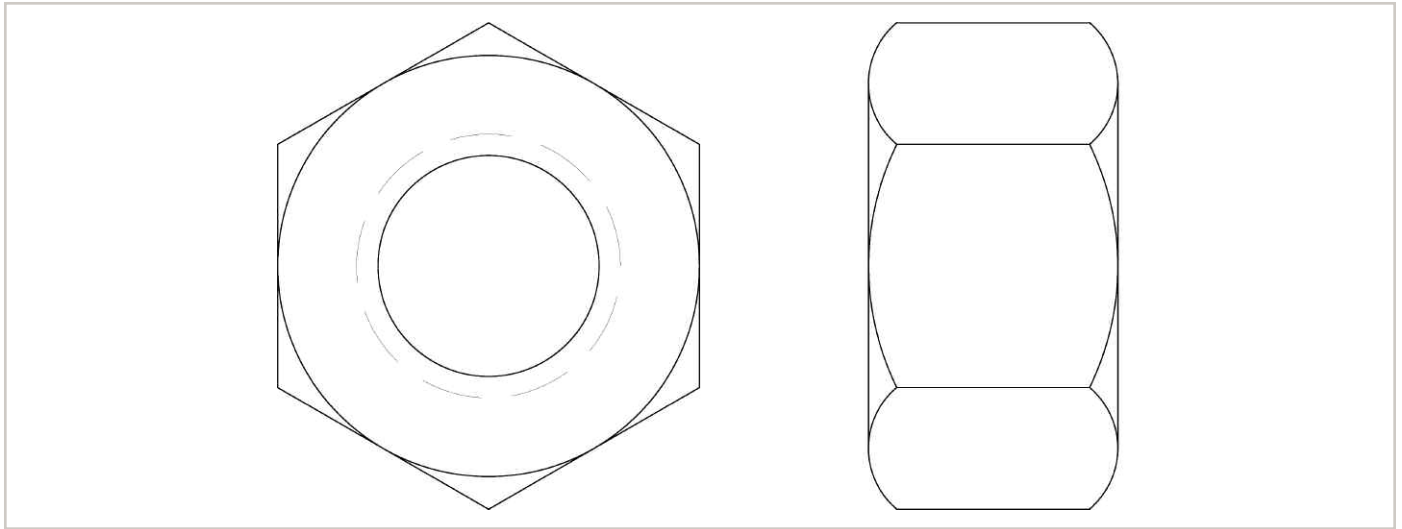


## CN-5 Coil Nut – Standard



The CN-5 Standard Coil Nut is manufactured from hex stock and is available in 1/2" through 1-1/2" diameters. Dimensions are displayed in the Table.

| CN-5 COIL NUT - STANDARD DATA |                |            |                      |
|-------------------------------|----------------|------------|----------------------|
| Diameter                      | Flat Width (W) | Height (H) | Safe Work Load (lbs) |
| 1/2"                          | 7/8"           | 1/2"       | 4,500                |
| 3/4"                          | 1-1/8"         | 5/8"       | 9,000                |
| 3/4"                          | 1-1/4"         | 3/4"       | 9,000                |
| 1"                            | 1-5/8"         | 1"         | 18,000               |
| 1-1/4"                        | 2"             | 1-1/4"     | 27,000               |
| 1-1/2"                        | 2-3/8"         | 1-1/2"     | 40,000               |

Safe working load is based on an approximate 2:1 safety factor.

