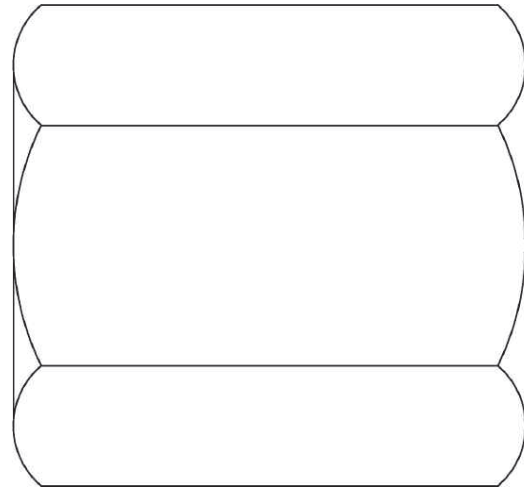
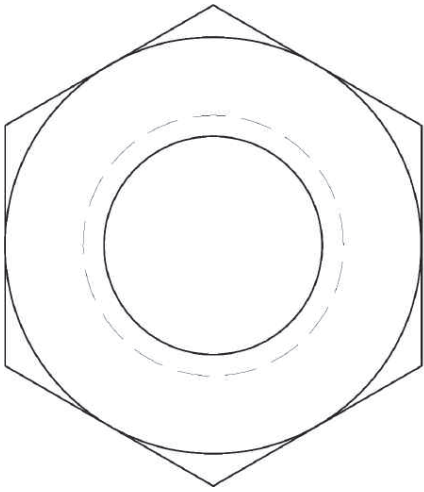


CN-25 Coil Nut - Heavy



The CN-25 Heavy Coil Nuts are manufactured from hex stock like the Standard Coil Nut but is of sufficient length to develop the safe working loads required for medium and heavy form tying systems. Available supplied in plain finish and electroplated galvanized.

CN-25 COIL NUT - HEAVY DATA			
Diameter	Flat Width (W)	Height (H)	Safe Work Load (lbs)
1/2"	7/8"	1"	9,000
3/4"	1-1/8"	1-1/2"	18,000
1"	1-5/8"	2"	38,000
1-1/4"	2"	2-1/2"	56,000
1-1/2"	2-3/8"	3"	68,000

Safe working load is based on an approximate 2:1 safety factor.

