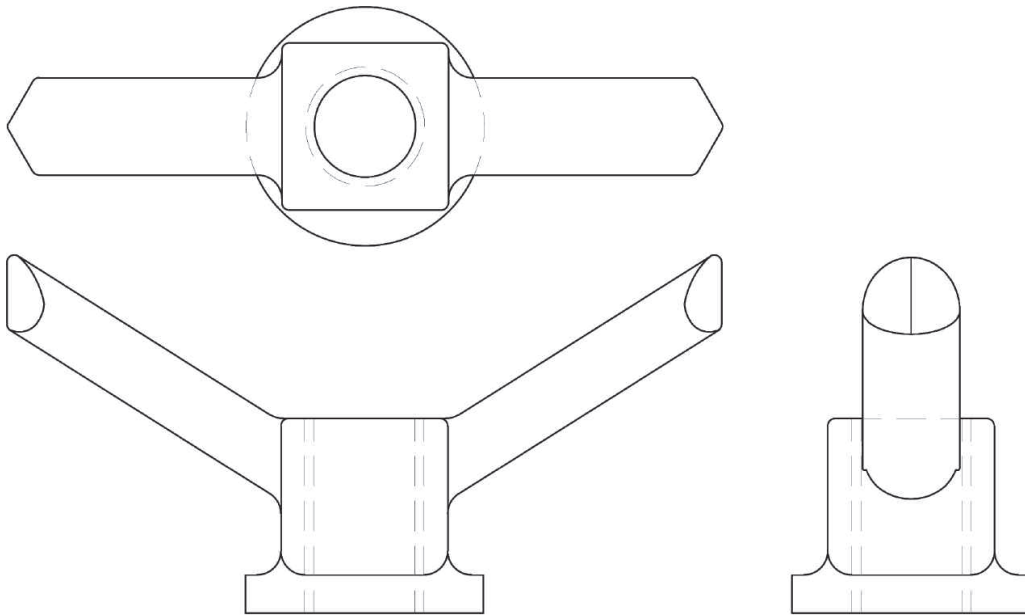


# CN-29 Coil Wing Nut



The CN-29 Coil Wing Nuts are furnished with coil thread and are available in 1/2" through 1-1/2" diameters. The ductile iron Coil Wing Nut offers high strength, speedy tightening and release.

CN-29 COIL WING NUT DATA					
Diameter	L	D	H	W	Safe Work Load (lbs)
1/2"	5"	1-1/4"	2-3/8"	1-3/8"	9,000
3/4"	5-7/8"	1-1/4"	2-1/2"	1-3/4"	18,000
7/8"	6"	1-5/8"	2-3/4"	1-3/4"	18,000
1"	6"	1-5/8"	3"	2"	38,000
1-1/4"	6-5/8"	1-5/8"	2-3/4"	2-1/4"	52,000
1-1/2"	6-3/4"	1-7/8"	2-3/4"	2-7/8"	80,000

Safe working load is based on an approximate 2:1 safety factor.

