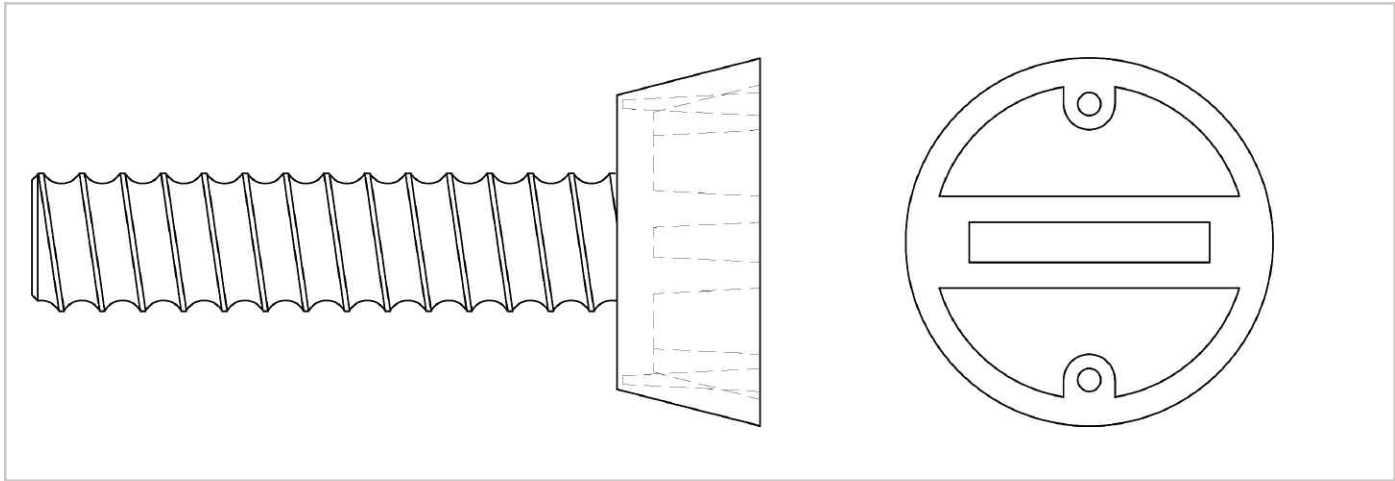


CP-2 Coil Setting Plug - Plastic



CP-2 Coil Setting Plug - Plastic			
Bolt Diameter	D	H	L
in.	in.	in.	in.
1/2	15/16	1/2	2 9/16
3/4	2	3/4	4
1	2 1/4	3/4	5 1/2

The CP-2 Coil Setting Plug – Plastic is available in 1/2", 3/4" and 1" diameters. They are effectively used to set inserts in the form by nailing the plug to the form face and then threading the coil insert onto the plug. The reusable plugs are easily removed from the concrete after the form has been stripped. The Coil Setting Plug can also be used as a temporary cap when another pour will be made at a later time.

