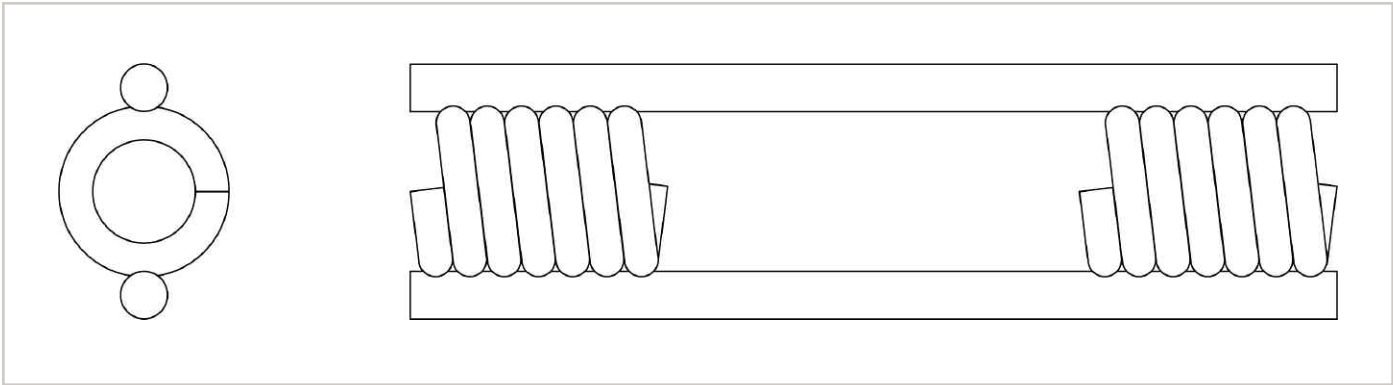


CT-2 Coil Tie – Two Strut



The CT-2 Coil Tie is fabricated with two struts and two self-cleaning, fast threading coils and is available in a broad range of sizes and safe working loads. The versatile tie is used with Coil Bolts or Coil Rod to handle the many forming variations encountered. The Two Strut Coil Tie is available in 1/2" to 1" diameters in standard and heavy types.

NOTES:

If electro-plating of coil ties is required, special procedures may be necessary to prevent hydrogen embrittlement effects. Specify when placing order.

CT-2 COIL TIE DATA		
TYPE	SWL (lbs)	APROX ULT (lbs)
1/2" Standard	4,500	9,000
1/2" Heavy	6,750	13,500
3/4" Standard	6,750	13,500
3/4" Heavy	9,000	18,000
1" Standard	13,500	27,000
1" Heavy	15,000	30,000

SWL provides an approximate safety factor of 2:1.

