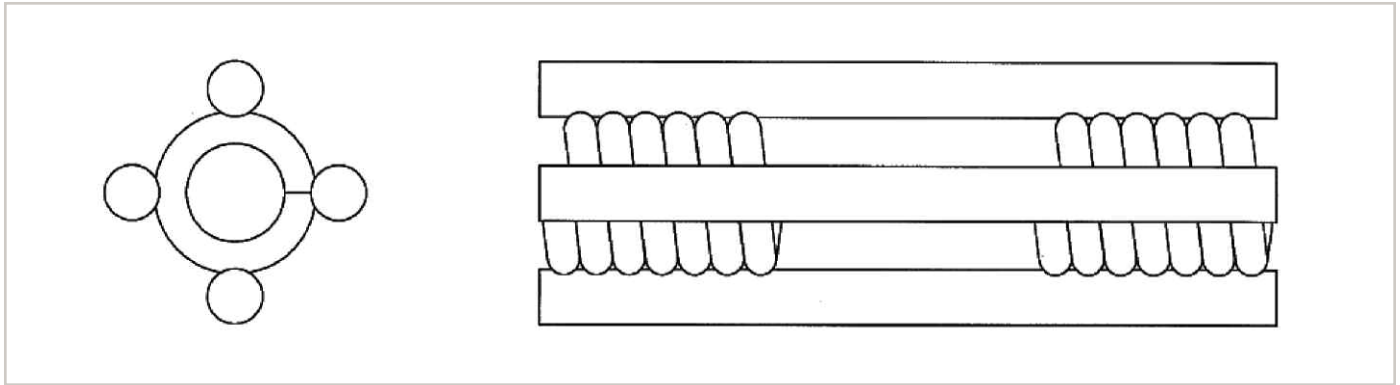


# CT-4 Coil Tie Insert



CT-4 COIL TIE INSERT DATA							
Insert Type	Bolt Diameter	Insert Length (L)	Safe Work Load (Tension) (lbs)	B	Coil Length (C)	Wire Diameter (D)	Minimum Edge Distance
CT-4	3/4"	6"	12,000	1-5/8"	2-1/16"	.375"	10"
CT-4	1"	8"	18,000	2-1/16"	2-1/16"	.375"	10"
CT-4	1"	12"	18,000	2-1/16"	2-1/16"	.375"	10"
CT-4	1-1/4"	8"	18,000	2-1/2"	2-1/16"	.440"	10"
CT-4	1-1/4"	12"	27,000	2-1/2"	2-1/16"	.440"	15"

1. Safe working load is based on an approximate 2:1 safety factor, 3,000 psi concrete, and a 1/2" setback from surface of concrete.
2. Minimum coil penetration warning on Page 47 applies.
3. Minimum concrete thickness = L + setback + 3/4" clear cover.

The versatile CT-4 Coil Ties is often used as an insert and is very effective in reanchoring applications. The accompanying Table lists numerous standard sizes to fit a broad range of applications. Other lengths are available, contact a Meadow Burke representative for additional information. Minimum spacing of inserts shall be double the minimum edge distance.

