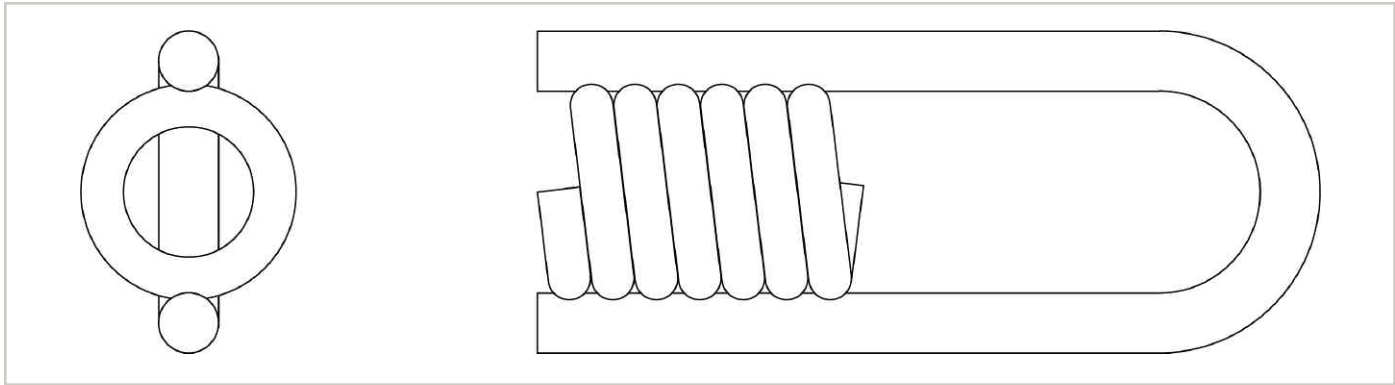


CX-2 Coil Loop Insert – Straight



CX-2 COIL LOOP INSERT - STRAIGHT DATA					
Bolt Dia.	Length (L)	Wire Dia. (D)	B	Safe Work Load (lbs)	Minimum Edge Dist.
1/2"	4"	0.225"	1-1/8"	4,500	7"
1/2"	6"	0.306"	1-1/4"	7,200	10"
3/4"	4"	0.306"	1-5/8"	6,200	7"
3/4"	6"	0.375"	1-3/4"	9,000	10"
1"	6"	0.375"	2-1/8"	9,000	10"
1"	8"	0.375"	2-1/8"	9,000	13"
1-1/4"	8"	0.440"	2-1/2"	12,000	13"

1. Safe working load is based on an approximate 2:1 safety factor, 3,000 psi concrete, and a 1/2" setback from surface of concrete.
2. Minimum coil penetration warning on Page 47 applies.
3. Minimum concrete thickness = L + setback + 3/4" clear cover.

The CX-2 Straight Coil Loop Insert is fabricated with one straight loop strut resistance welded to a coil. It is available in diameters from 1/2" through 1-1/4" and in the standard lengths and safe working loads shown in the Table. Other lengths and equipped with Cone-Fast Cones are available on special order. Minimum spacing of inserts shall be double the minimum edge distance.

