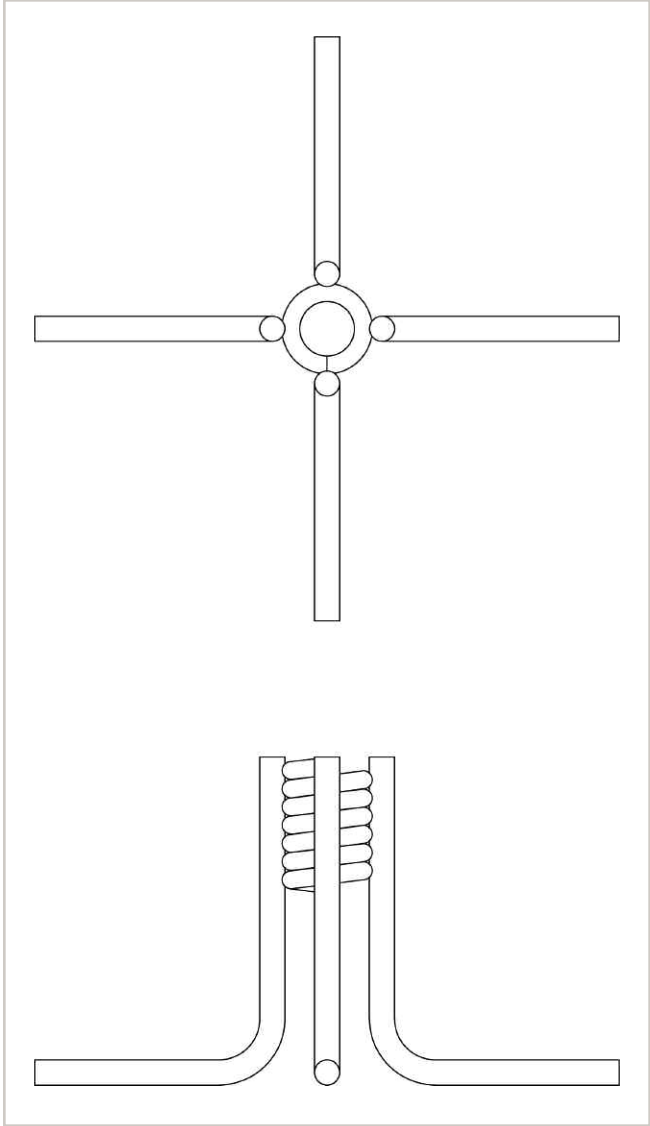
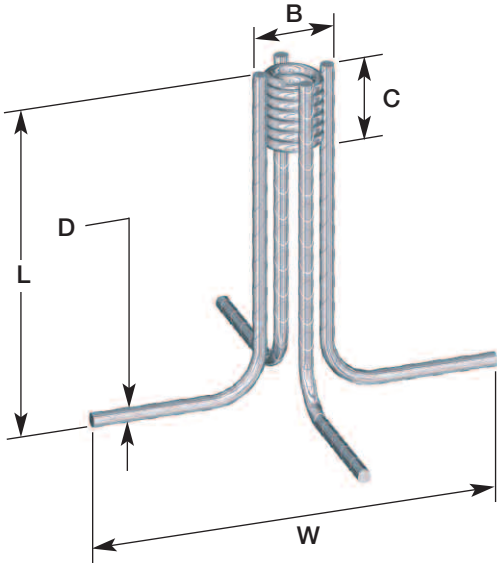


CX-24 Thin Slab Insert



The CX-24 Thin Slab Insert is a four-strut insert fabricated from deformed wire for increased pullout strength. It is available in 3/4", 1", 1-1/4" and 1-1/2" diameters. The limited height of the insert makes it effective in thin concrete applications. Minimum spacing of inserts shall be double the minimum edge distance.

CX-24 COIL LOOP INSERT - DOUBLE FLARED							
Bolt Diameter	Insert Length (L)	Safe Work Load (lbs)	B	Coil Length (C)	Wire Diameter (D)	Flare Width (W)	Minimum Edge Distance
3/4"	3"	5,000	1-5/8"	1-3/4"	.306"	7-1/8"	9"
1"	4"	7,000	1-7/8"	2-1/16"	.306"	9-1/2"	12"
1-1/4"	4"	8,000	2-1/4"	2-1/16"	.375"	9-3/4"	12"
1-1/2"	4"	8,000	2-1/2"	2-1/16"	.375"	10"	12"

1. Safe working load is based on an approximate 2:1 safety factor, 3,000 psi concrete, and a 1/2" setback from surface of concrete.
2. Minimum coil penetration warning on Page 47 applies.
3. Minimum concrete thickness = L + setback + 3/4" clear cover.