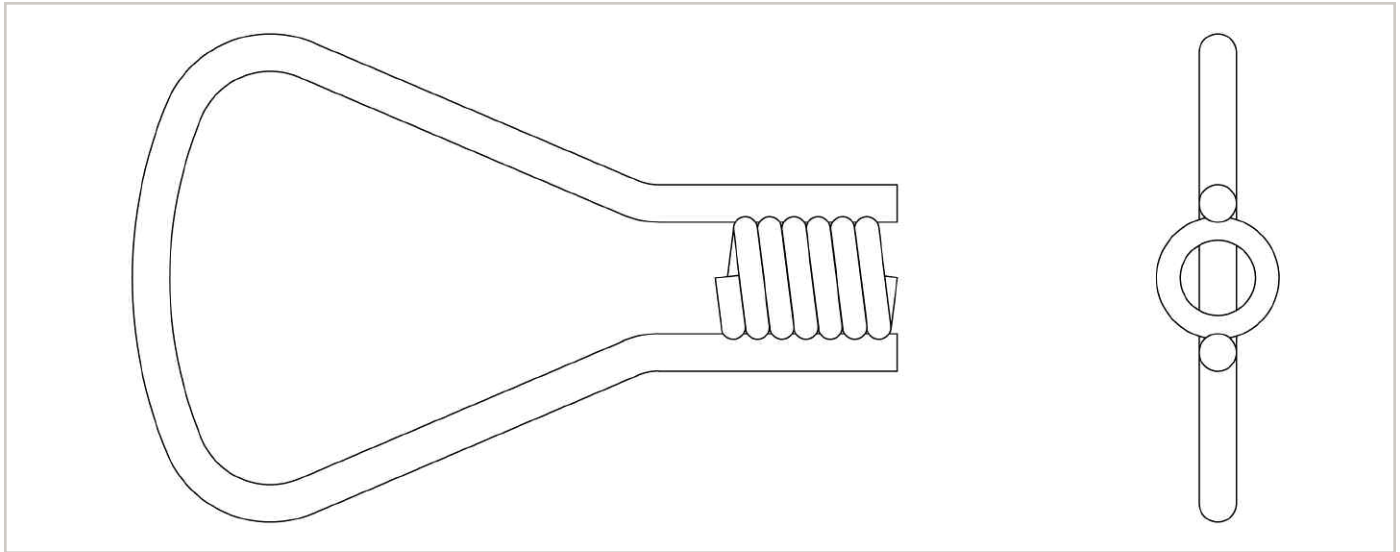


CX-4 Coil Loop Insert – Flared



CX-4 COIL LOOP INSERTS - FLARED DATA

Bolt Diameter	Insert Lgth (L)	Safe Work Load (Tension) (lbs)	Concrete Strength PSI	B	Coil Length (C)	Wire Diameter (D)	Flare Spread (W)	Minimum Edge Distance
3/4"	6"	9,000	2,000	1-3/4"	1-3/4"	.375"	3-1/2"	13"
3/4"	9"	9,000	2,000	1-3/4"	1-3/4"	.375"	5-1/2"	13"
1"	9"	9,000	2,000	2-1/8"	2-1/16"	.375"	5-1/2"	15"
1"	9"	13,500	2,000	2-1/2"	2-1/16"	.440"	5-3/4"	15"
1"	12"	9,000	2,000	2-1/8"	2-1/16"	.375"	5-1/2"	15"
1"	12"	13,500	2,000	2-1/2"	2-1/16"	.440"	5-3/4"	15"
1-1/4"	12"	9,000	2,000	2-1/2"	2-5/16"	.375"	5-3/4"	15"
1-1/4"	12"	15,000	2,000	2-1/2"	2-5/16"	.440"	5-3/4"	15"
1-1/2"	12"	15,000	2,000	2-3/4"	2-9/16"	.440"	5-3/4"	15"

1. Safe working load is based on an approximate 2:1 safety factor, 3,000 psi concrete, and a 1/2" setback from surface of concrete.
2. Minimum coil penetration warning on Page 47 applies.
3. Minimum concrete thickness = L + setback + 3/4" clear cover.

The CX-4 Flared Coil Loop Insert is manufactured with a flared loop strut resistance welded to a coil. It is available in diameters from 3/4" through 1-1/2" and in the lengths and safe working loads shown for lifts up to 5'. Minimum spacing of inserts shall be double the minimum edge distance.

