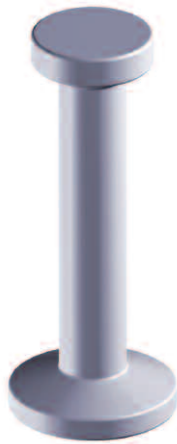
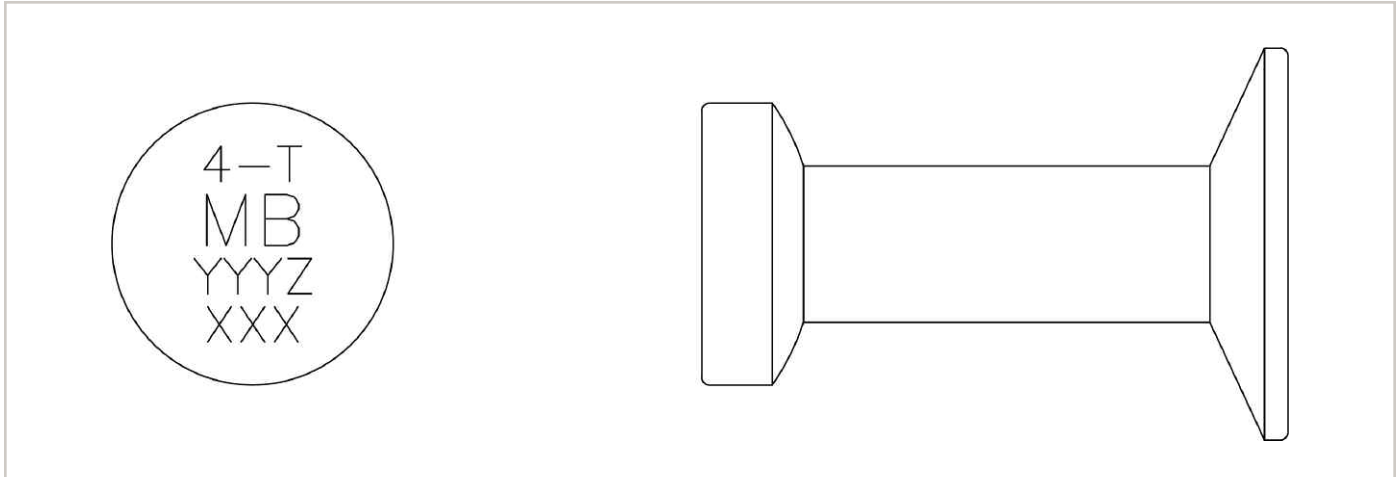


DB 52 MB DogBone Anchor



1, 2, 4, 6, 8, 12 and 16-Ton in Face Lift Applications

All DB-52 DogBone Anchors are manufactured from high quality, high strength steel. They are continually tested at a specified sampling rate during production and each anchor head is clearly marked with its safe working load.

The accompanying table shows standard anchor sizes and safe working loads in various concrete strengths. Note that in some cases the anchor does not reach full capacity in the lower strength concretes. This is an important consideration when selecting the proper anchor application. In general, concrete strengths of 2,100 psi to 3,500 psi are necessary to develop stated anchor safe working loads. The safe working loads displayed in the table applies for any directional loading. Loading on the anchor can be perpendicular, horizontal or any angle in between.

DB-52 MB DOGBONE ANCHOR CAPACITIES WHEN USED IN FACE OF FLAT SLAB						
Anchor Size	Concrete Strength				Edge Distance Tension (in)	Edge Distance Shear (in)
	1500 PSI	2500 PSI	3500 PSI	5000 PSI		
1T x 2-1/2	1600	2000	2000	2000	5	12
1T x 3-3/8	1900	2000	2000	2000	7	12
1T x 4-3/4	2000	2000	2000	2000	10	12
2T x 2-3/16	1550	1900	2350	2800	5	12
2T x 3-3/8	2100	2700	3250	3900	7	12
2T x 4-3/4	3250	4000	4000	4000	10	15
2T x 5-1/2	4000	4000	4000	4000	11	17
2T x 6-3/4	4000	4000	4000	4000	11	17
2T x 11	4000	4000	4000	4000	11	17
4T x 3-3/4	2550	3250	3950	4700	8	12
4T x 4-1/4	3000	3850	4550	5450	9	13
4T x 4-3/4	3650	4700	5600	6700	10	15
4T x 5-1/2	4550	5850	6950	8000	11	17
4T x 7-1/8	6900	8000	8000	8000	15	22
4T x 9-1/2	8000	8000	8000	8000	19	29
4T x 13-3/8	8000	8000	8000	8000	19	29
8T x 4-3/4	4050	5200	6200	7450	10	15
8T x 6-3/4	7000	9000	10750	12850	14	21
8T x 10	11450	14750	16000	16000	20	30
8T x 13-3/8	16000	16000	16000	16000	27	41
16T x 9-7/8	11750	15150	17950	21500	20	30
16T x 19-5/8	32000	32000	32000	32000	40	48