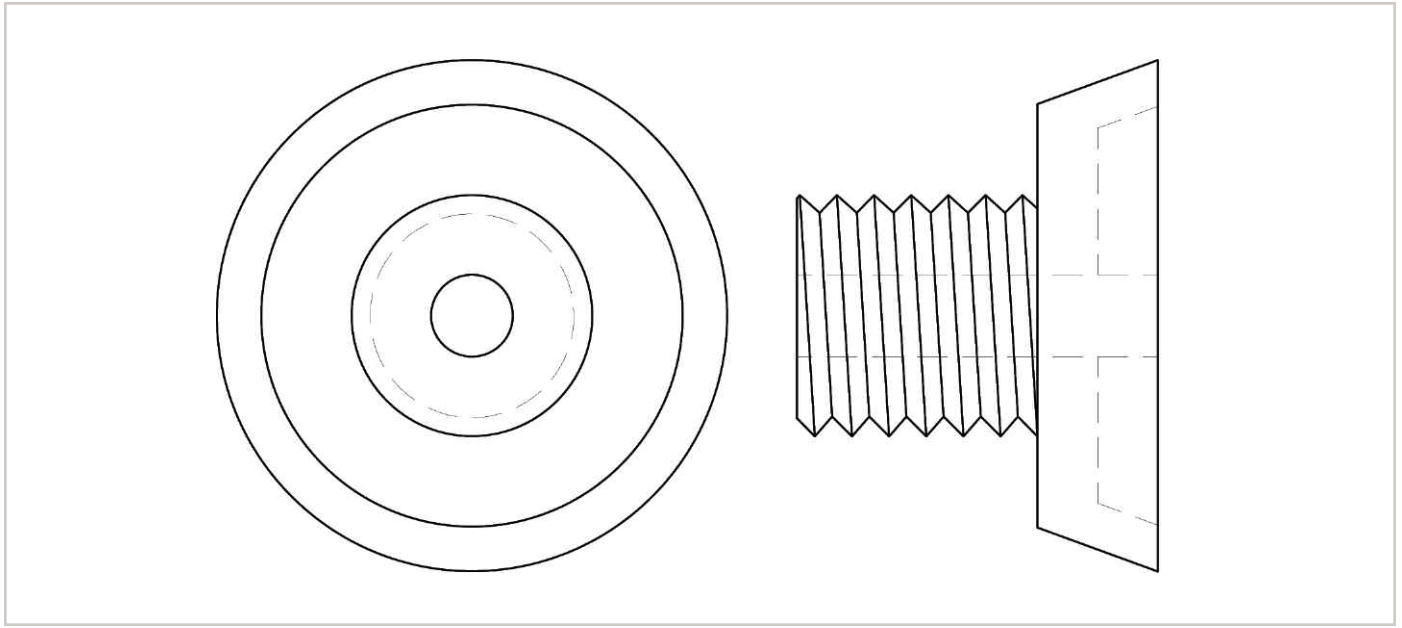


FC-18 Plug – Plastic NC Thread



The FC-18 Plug – Plastic NC Thread is the plastic version of the metal NC plug listed above. It functions as a setting plug and as a thread protection. This is an excellent and economical unit to use in inserts cast in place but not to be used until a later date. This plug provides a 1/4" setback.

