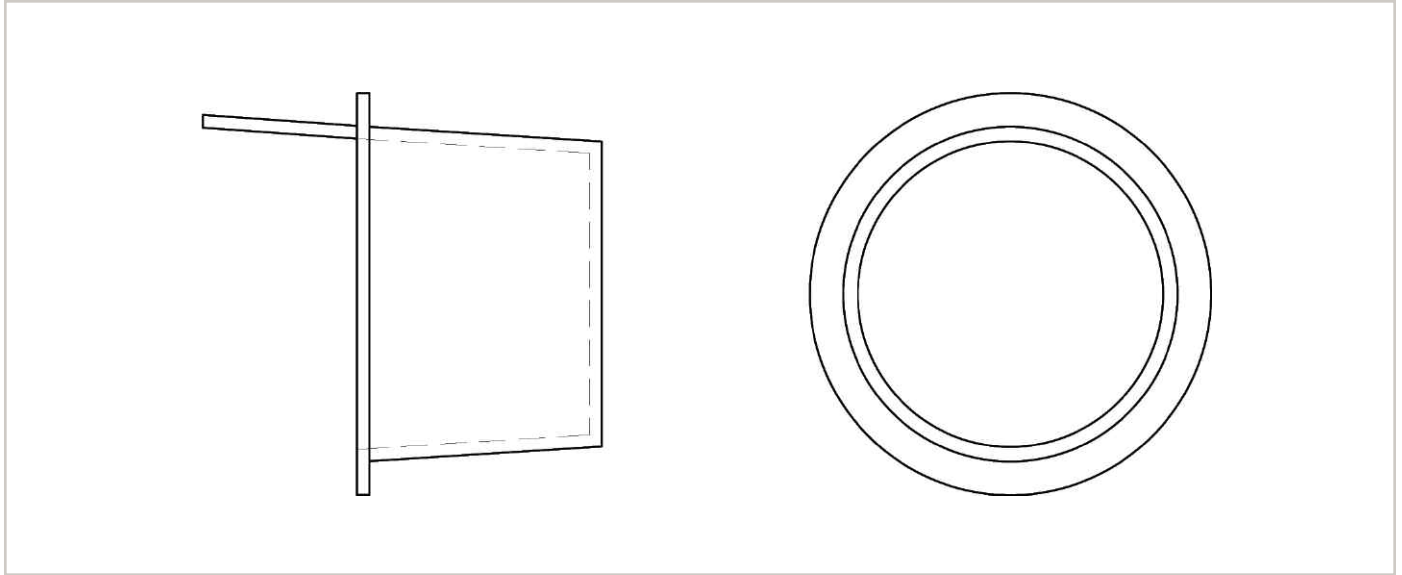


FC-19 Tie Hole Plug



Tie FC-19 Hole Plug is a plastic plug available in 9/16" and 3/16" diameters used to temporarily fill holes in the formwork plywood. Tie Hole Plugs are sold in carton lots only.

