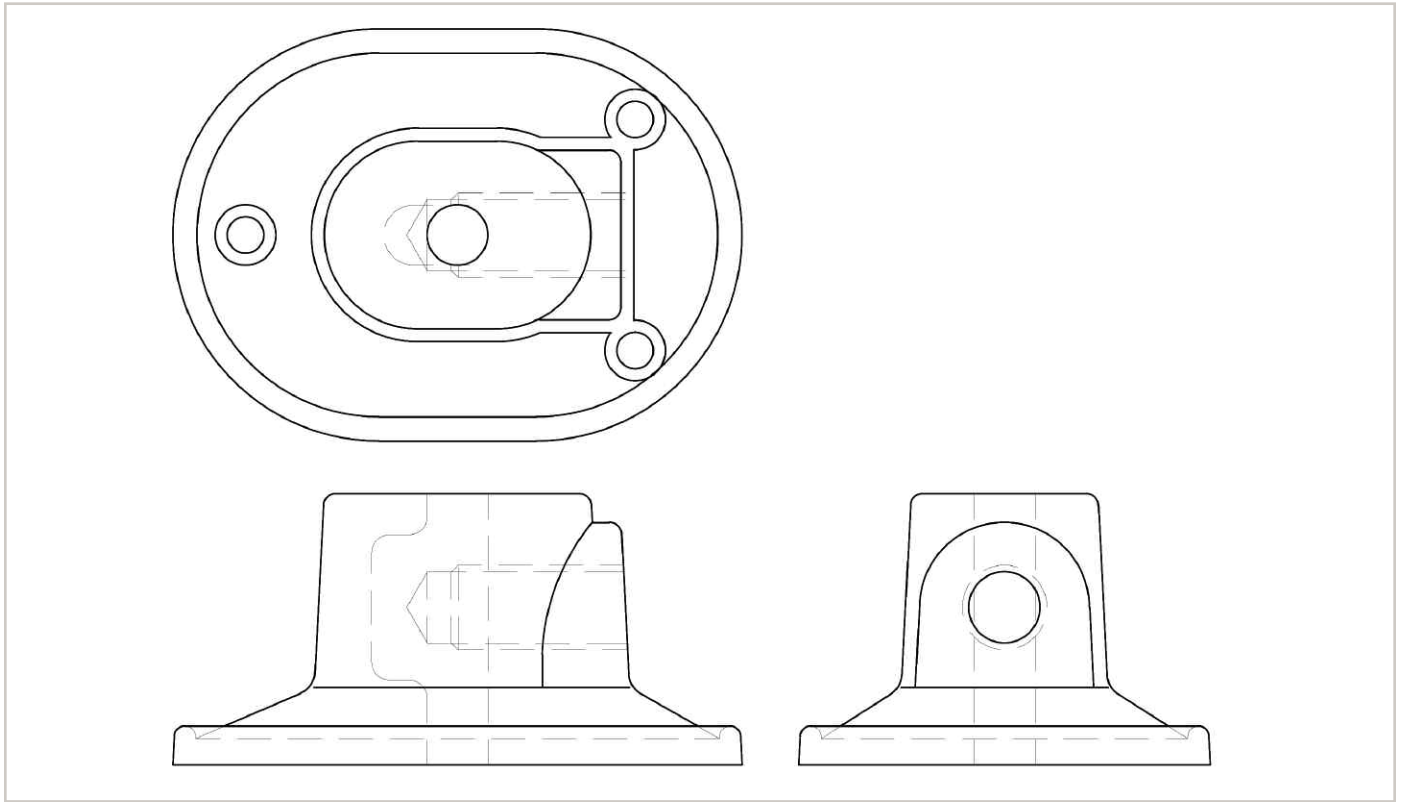


RC-22 Form Clamp



The RC-22 Form Clamp is designed for use with the Pencil Rod, above, or other similar mild steel bar. The clamp is available in three sizes to accept 1/4", 3/8" and 1/2" diameters. The Form Clamp is especially useful when unusual forming conditions exist, such as battered walls or walls of varying thickness.

The safe working load of the Form Clamp is dependent on the setscrew being properly tightened and the pencil rod being bent 90° at the back of the clamp.

