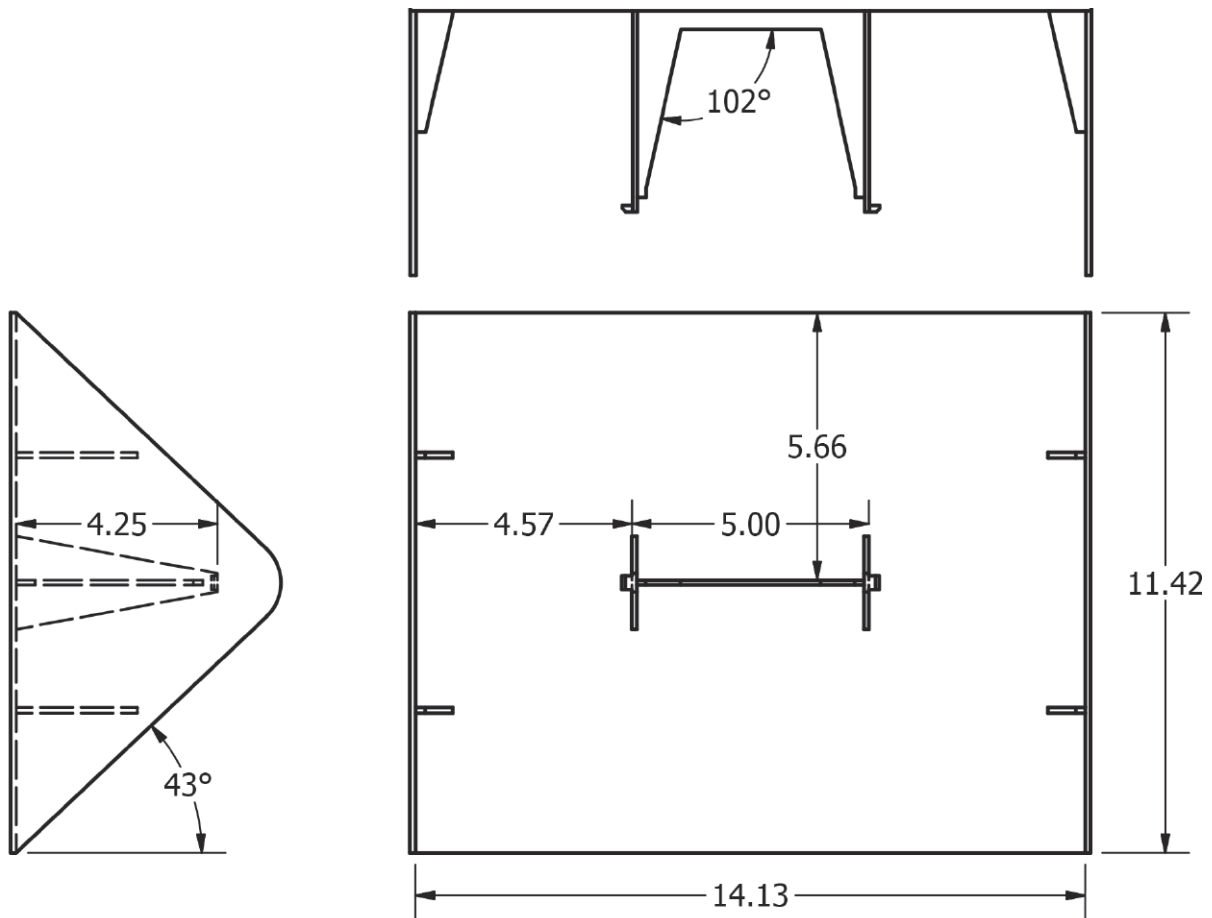


Plastic Cover for 30 kip Rapid-Lok



The Plastic Cover for the 30 kip Rapid-Lok is produced from a high strength, polypropylene, injection molded plastic. It has been thoroughly tested to ensure that it will perform exceptionally well, even in extreme conditions. The Plastic Cover holds its shape and resists impact damage at temperatures approaching zero and exceeding 125°F. Although it normally remains in place once installed, the Rapid-Lok Cover can be detached and reattached dozens of times if needed without deforming.

The Rapid-Lok Plastic Cover eliminates all the safety issues associated with installing a Rapid-Lok concrete angle assembly to a precast, cast-in-place or tilt-up panel by reducing the weight and ergonomic concerns of hanging a large piece of concrete.

How it Works:

- Simply snap the Rapid-Lok Cover into place attaching to the gussets of the existing Rapid-Lok Angle Assembly

Item Number	Description	Unit Weight
MBRLC30	Plastic Cover for 30 kip Rapid-Lok	13.8 oz

