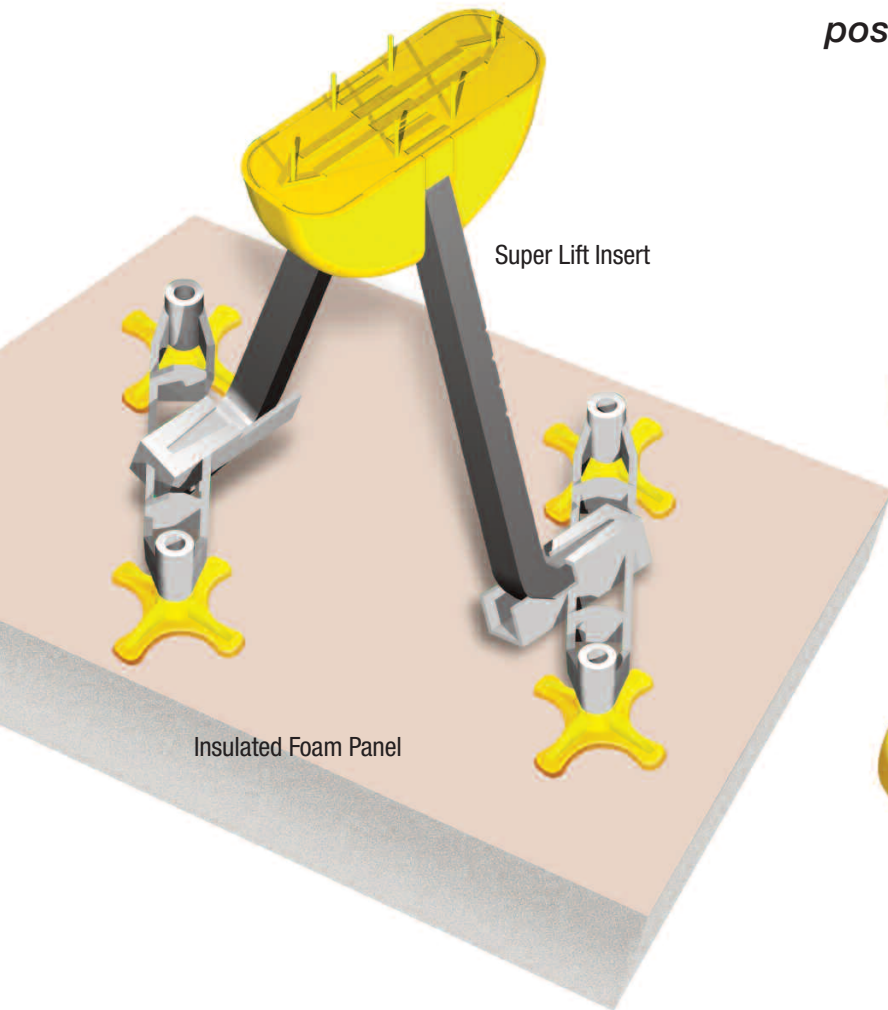


Super Lift Shoe

Increased stability and accurate positioning of Super Lift Inserts



How It Works:

For insulated panel applications, the Super Lift Shoe improves the positioning of all Super Lift Insert Anchors and protects insulation from damage caused by insert placement.

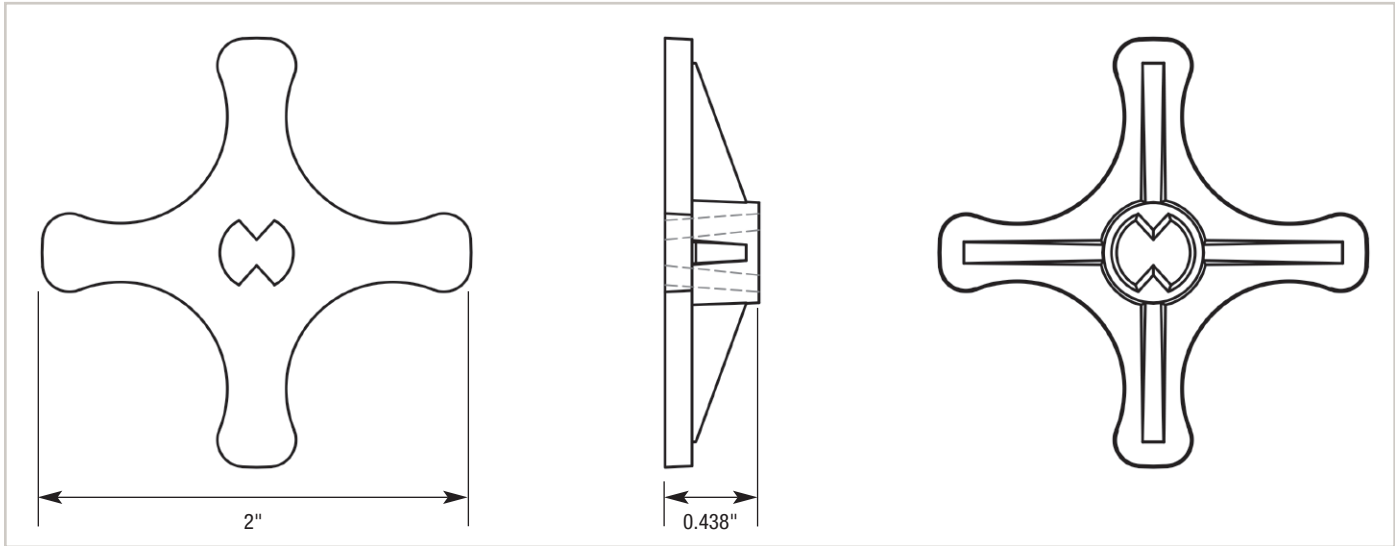
Features:

- Easily snaps onto existing feet of all Super Lift Inserts with no need for tools.
- Eliminates the need for shims to stabilize Super Lift Inserts.

**Call to learn more about
the Super Lift Shoe**

877.518.7665

Super Lift Shoe



SUPER LIFT SHOE DATA			
Item Number	Size (in)	Quantity per Pail	Weight per Pail
MB45888	2 x 0.438	500	4.5 lbs.

The Super Lift Shoe quickly snaps onto the feet of the Super Lift Insert, stabilizing the positioning of the anchor when placed onto insulation foam. It is manufactured in the U.S. using high-performance polypropylene plastic for best-in-class strength and durability.

