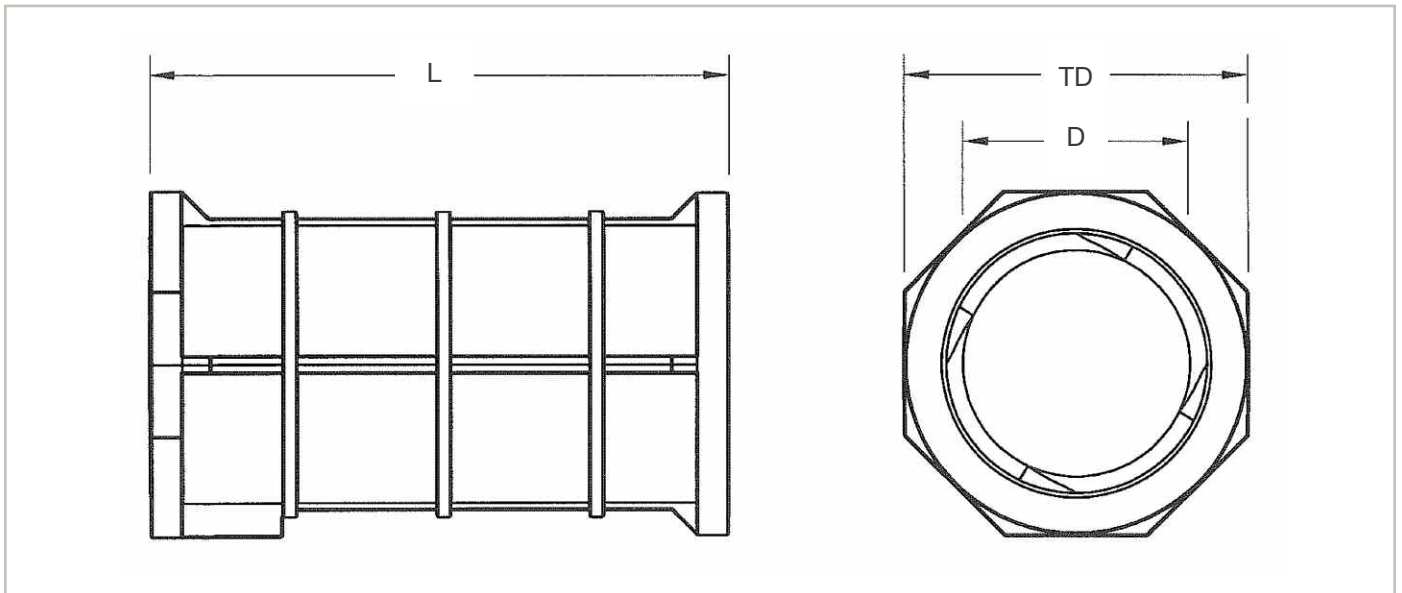


Threaded Socket



Threaded Socket Dimensions				
Item Number	L (in)	D (in)	TD (in)	Weight (lbs)
BC120095	3.75	1.87	2.20	0.10

The threaded socket is a single injected molded piece designed to be used with the Threaded Lift Pin (BC120050). The socket can be used in wet-cast concrete by casting it into the precast section at the time of production, and the threaded lift pin is installed after concrete has cured. Allows for quick installation, and a water-tight and vacuum-tight connection

Composition:

- Injection molded with durable polypropylene conforming to ASTM D-4101
- 1 diameter Grade 60 reinforcing bar conforming to ASTM A-615

