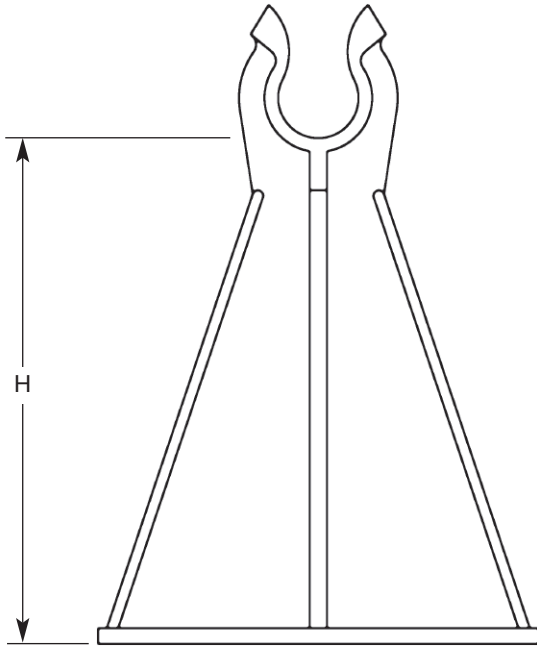


**PC-4 Snap-On Paving Chair with Base**



Height (in.)	Item	Bar Size	Qty per Bag
.75	MB790404	#3 up to #4	600
1.5	MB790378	#3 up to #4	800
2	MB790381	#4 up to #6	1000
2.25	MB790418	#4 up to #6	500
2.5	MB790419	#4 up to #6	750
2.75	MB790420	#4 up to #6	600
3	MB790426	#4 up to #6	500
3.25	MB790436	#4 up to #6	500
3.5	MB790446	#4 up to #6	350
4	MB790459	#4 up to #6	300
4.25	MB790460	#4 up to #6	300
5	MB790462	#4 up to #6	250
5.5	MB790465	#4 up to #6	225
6	MB790468	#4 up to #6	120
6.5	MB790471	#4 up to #6	150
7	MB790474	#4 up to #6	150



The PC-4 Snap-On Paving Chair with Base is an all plastic chair used to support steel reinforcement in concrete paving or Slab on grade applications. The Chair incorporates four triangular shaped ribs for stability as well as a base for stability on sand or gravel. The Snap-on feature prohibits the need for additional tying. The Snap-On Paving Chair is available in multiple heights for use in varying concrete thicknesses. The PC-4 Snap-On Paving Chair with Base is made in the USA from recycled materials.