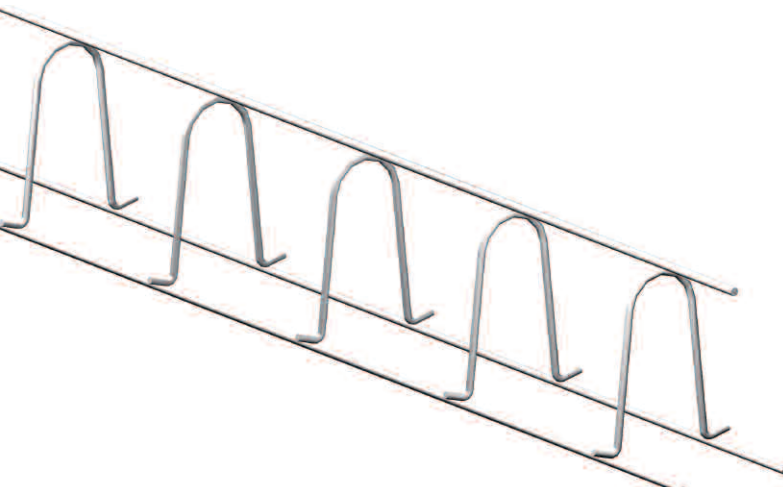
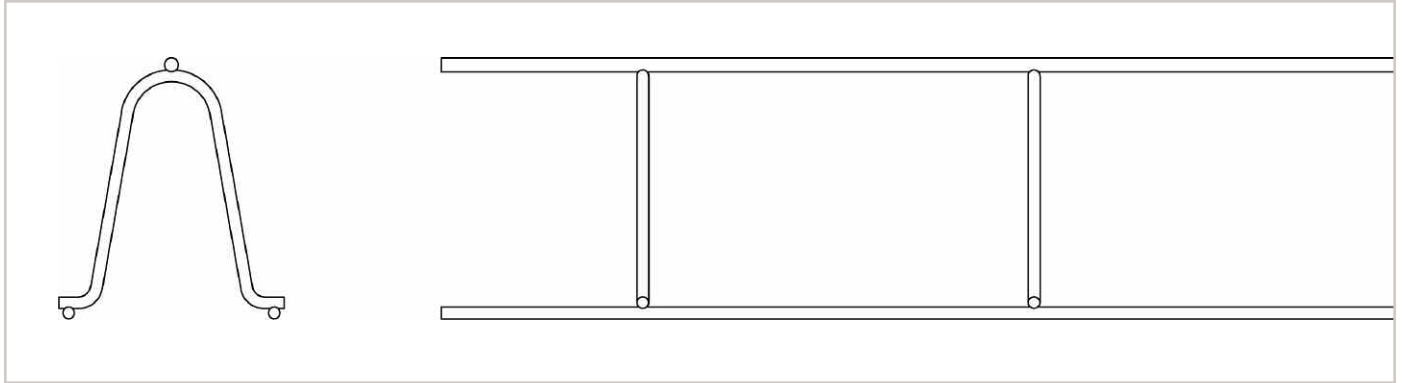


(UCHC) Continuous High Chair – Upper



CONTINUOUS HIGH CHAIR - UPPER DATA

Type	Available Height	Leg Spacing (c/c)	Length
UCHC	2" to 20"	7-1/2"	5'-0"

Metal reinforcing bar supports are used to hold rebar in place to allow the correct depth and placement, prior to the rebar being encased in concrete.

Available with or without compliance to CRSI 28th edition and Buy America, in sizes from 3/4" – 3" by 1/4" increments.

AVAILABLE FINISHES:

- Plain wire
- Stainless Steel
- Hot Dipped Galvanized
- Plastic dipped
- Plastic tipped
- Plastic encapsulated
- Epoxy coated
- Epoxy coated with plastic dipped feet

NOTES:

Stainless steel utilized by Meadow Burke in the manufacture of rebar supports conforms to ASTM A-493 and AISI Type 430.