

## MB Bowco Sump Pan, Lid & Seal

Reliable, Watertight Performance

### Overview

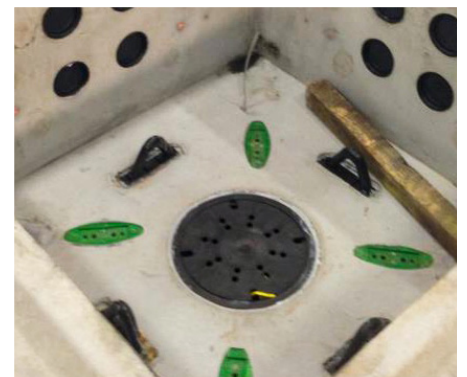
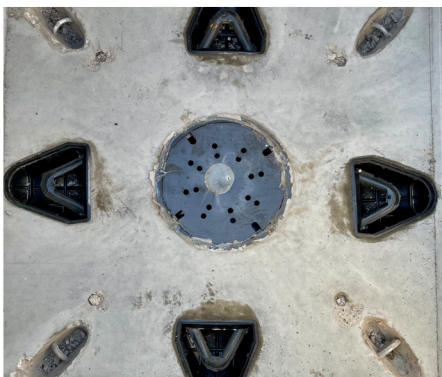
MB Bowco Sump Pans are designed for convenience, reliability and long-term performance.

Manufactured from high-strength plastic, MB Bowco Sump Pans are an ideal solution for creating sturdy, precise egress points that allow water drainage from utility boxes, communication enclosures, vaults, and other precast concrete elements.



### Features

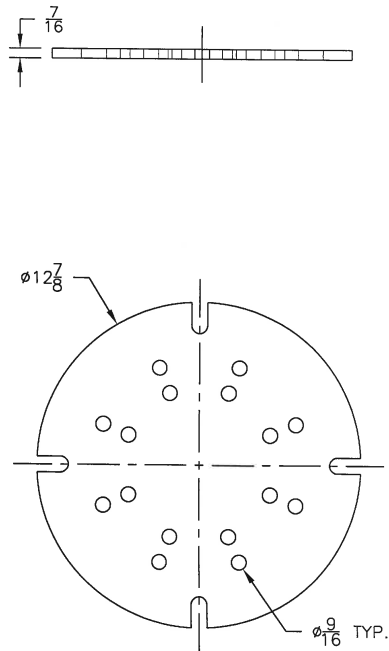
- **Durable:** Crafted from corrosion-free materials, ensuring longevity and durability.
- **Ease of Handling:** Lightweight construction makes it easy to handle and install.
- **Secure Lid:** Available for purchase separately, the sump pan lid is engineered to be heavier than water, preventing it from floating. It is attached with a durable plastic tether for added security.
- **Versatile:** Convenient size and durable construction make MB Bowco Sump Pans a good choice for any number of applications.



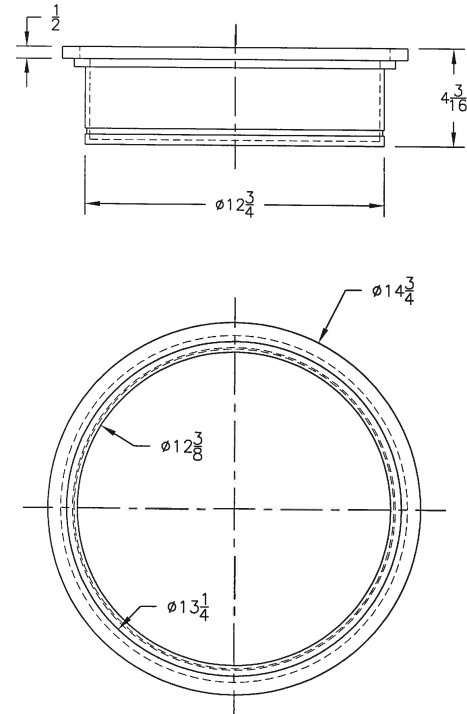
# MB Bowco Sump Pan, Lid & Seal

Reliable, Watertight Performance

**Lid**



**Sump Base**



## Product Data - MB Bowco Sump Pan

Item Number	Description	Packaging
BC150100	BSP-1 Sump Pan	Call
BC150110	BSP-12 Sump Pan w/ Lid - 12" Deep	Call
BC150120	BSP-2 Sump Pan w/ Lid - 4" Deep	48 / plt
BC150125	BSP-2WO Sump Pan with Lid-No Bottom - 4" Deep	Call
BC150130	BSP-8 Sump Pan with Lid - 8" Deep	Call
BC150150	BSPL-1 Sump Pan Lid	300 / bucket